



# Category 6 Modular Plugs

## Specifications

**Cable to Tensile Strength:** 16.9 lb. (7.7 kg)

**Gold Plating:** 50  $\mu$

**Housing Color:** Transparent

**Housing Material:** Polycarbonate, UL<sup>®</sup> 94V-2

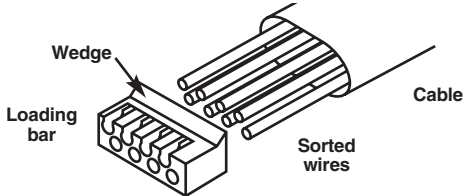
**Loading Bar Color:** Light blue

**Material Contact:** Phosphor bronze

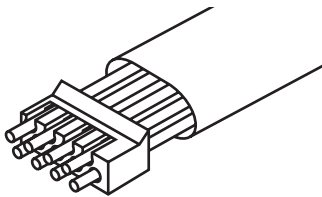
**Operating Temperature:** -40 to +176° F (-40 to +80° C)

## Installation

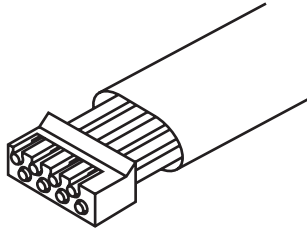
1. Strip the cable jacket approximately 1.6" (4 cm).
2. Sort the wires according to the T568A or T568B wiring scheme. Straighten the conductors. Cut the sorted wires at an approximately 30-degree angle for easier insertion. The loading bar faces up, with its wedge in the up position.



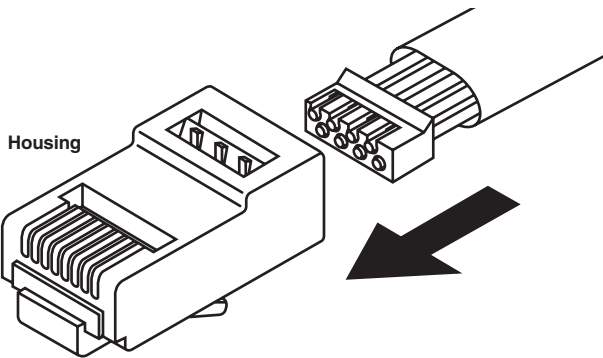
3. Slide the sorted wires into the loading bar.



- Cut off the excess wires that extend from the loading bar to retain an exposed wires section that's approximately 0.2" (0.8 cm) long.



- Push the loading bar and cable into the housing. (Make sure the loading bar fits tightly in the housing.)



- Push the cable and wires all the way into the plug. Make sure the wires reach the end position and are under the contact blade. The cable jacket should be under the plug's main strain relief.
- Use a crimping tool to crimp the plug and wires.

## TRADEMARKS USED IN THIS MANUAL

BLACK BOX and the Double Diamond logo are registered trademarks of BB Technologies, Inc.

UL is a registered trademark of Underwriters Laboratories, Inc.

*Any other trademarks mentioned in this manual are acknowledged to be the property of the trademark owners.*

© Copyright 2007. Black Box Corporation. All rights reserved.