

## 16-, 24-, 36-, or 48-Port High-Density Multimedia Patch Panel

### Provides multiple applications in one easy-to-secure, high-density panel.

- Supports UTP, STP, fiber, and S-Video applications.
- Flexible and modular; high-density design enables optimum use of rack space.



### Specifications

**Number of Ports** — JPMT1016A: 16; JPMT1024A: 24;  
JPMT1036A: 36; JPMT1048A: 48

**Size** — JPMT1016A, JPMT1024A, JPMT1036A:  
1.75"H (1U) x 19"W x 0.4"D (4.4 x 48.3 x 1.1 cm);  
JPMT1048A: 3.5"H (2U) x 19"W x 0.4"D (8.9 x 48.3 x 1.1 cm)

**Weight** — JPMT1016A: 0.98 lb. (0.45 kg);  
JPMT1024A: 0.89 lb. (0.4 kg);  
JPMT1036A: 0.74 lb. (0.34 kg);  
JPMT1048A: 1.77 lb. (0.81 kg)

### Overview

The High-Density Multimedia Patch Panels are used for high-density applications that have multiple media-type connections in one panel. These panels accept GigaTrue2, GigaBase2, CAT3, and USOC modular jacks, and GigaStation2 snap fittings. They install in a standard 19" rack.

*NOTE: The GigaStation2 MT-RJ snap fittings will only work with the 16-port model (JPMT1016A).*

### What's Included

Your package should include the following items. If anything is missing or damaged, please contact Black Box at 724-746-5500.

- (1) unloaded adapter panel
- (4) #12-24 cuphead Phillips screws
- (4) #10-32 cuphead Phillips screws
- This user's manual

### Assembly Instructions

1. Terminate the individual jacks and snap fittings using the instruction sheets supplied with those products.
2. Insert the terminated jacks or snap fittings into the unloaded adapter panel. See Figure 1.

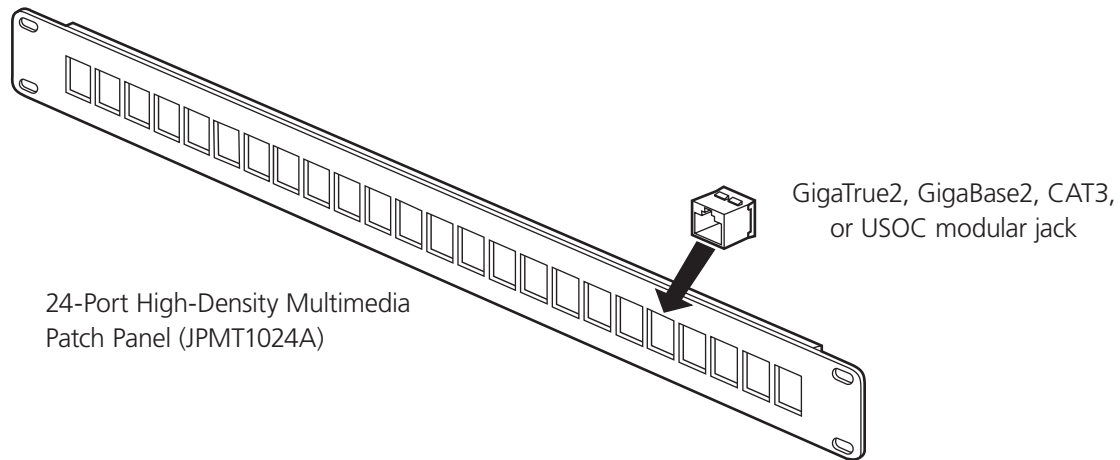


Figure 1. Installing the jacks or snap fittings into the patch panel.

3. Mount the panels in a standard 19" relay rack using the supplied hardware. See Figure 2.

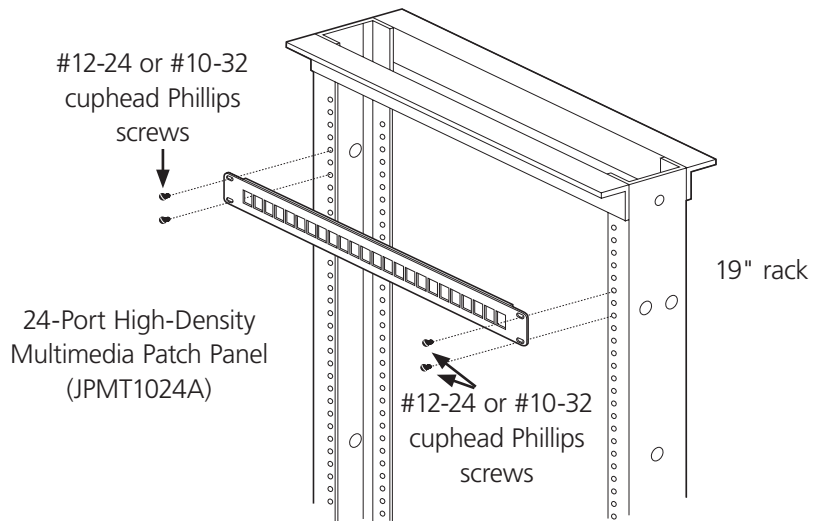


Figure 2. Installing the patch panel onto a rack.



© Copyright 2011. Black Box Corporation. All rights reserved. Printed in U.S.A. Black Box® and the Double Diamond logo are registered trademarks of BB Technologies, Inc. Any third-party trademarks appearing in this manual are acknowledged to be the property of their respective owners.

JPMT1016A, version 2

FREE, live, 24/7 Tech Support is just 30 seconds away.  
724-746-5500 | blackbox.com